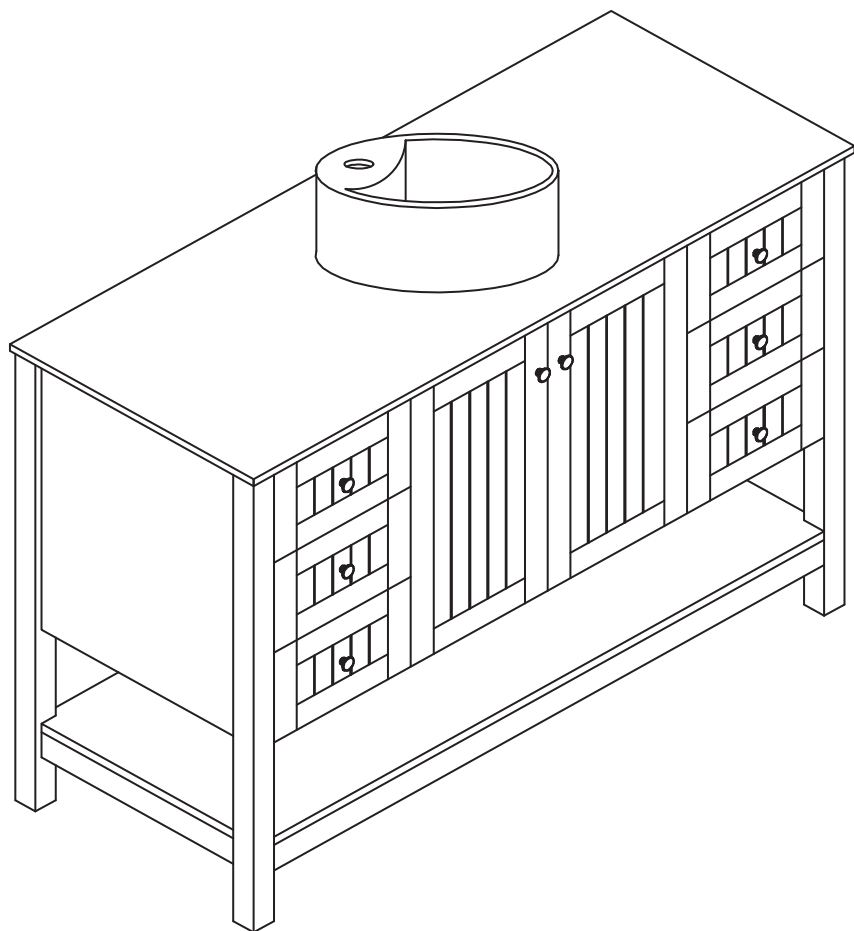




ASSEMBLY INSTRUCTIONS

VF16248WH / VF16248GR / VF16248BL



Step 1

REMOVE THE PROTECTIVE
FILM BEFORE USE.

THE HARDWARE PARTS
ARE NOT PROVIDED.

